



Xstrahl Ltd
Unit 2 Maybrook Industrial Estate
Maybrook Road, Brownhills
Walsall WS8 7DG
T +44 (0)1543 688920
E support@xstrahl.com

Xstrahl.com

Recall Letter

Xstrahl X150 / Gulmay Medical 150

Treatment Applicators

Ref: Recall TN020

Advice on Recall of Treatment Applicators.

Date: 20 Aug 2021

Attention: Radiotherapy Personnel, Medical Physics and Risk Managers

Dear Customer,

Xstrahl Limited is issuing this Recall Notice regarding the treatment applicators on the Gulmay Medical 150 or Xstrahl 150 superficial system.

Our records show you have purchased a Gulmay Medical 150 or Xstrahl 150 system or upgrade, between serial numbers GM0055 (2002) to GM0533 (2020).

Description:

A potential hardware issue has been identified.

The treatment applicators consist of a main body and a base plate component where the base plate consists of a stainless-steel disk and lead disk. There is the risk that the main body and base plate can become detached, which may lead to an increase in radiation leakage dose outside the intended field size.

Impact:

The function of the base plate is to provide shielding for the primary X-ray beam to limit the radiation dose outside of the treatment field, as defined by the applicator size.

When used to treat Non Melanoma Skins Cancer without the base plate in the applicator could increase the dose delivered outside of the intended field size, the amount of scattered radiation will depend on the applicator size, kV prescribed and the half value layer achieved for the clinical filter.

This scenario can only occur if the applicator is used without the base plate attached.

If the applicators are intact there is no unintended radiation outside of the applicator field size.

Technical & Support
T +44 (0)1543 688920

Registered Office
Unit 2 Maybrook Industrial Estate
Maybrook Road, Brownhills
Walsall WS8 7DG
VAT No. 318 7764 68



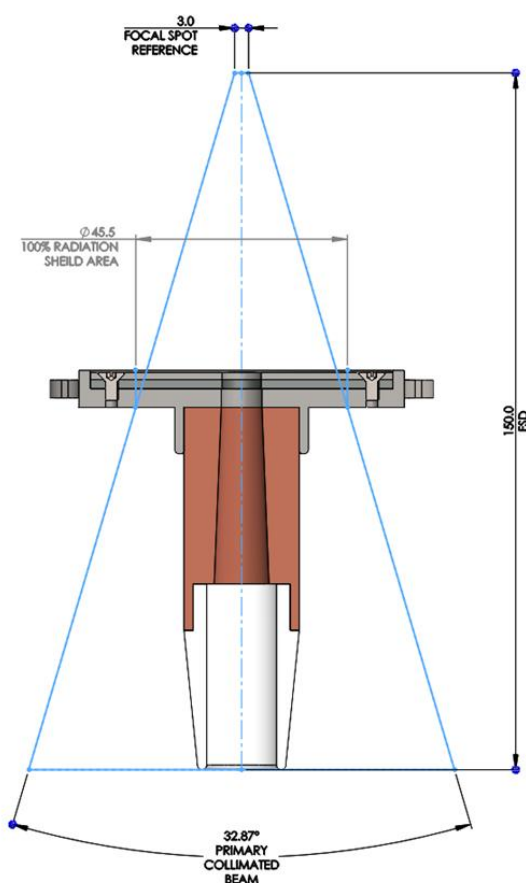
Xstrahl Ltd
Unit 2 Maybrook Industrial Estate
Maybrook Road, Brownhills
Walsall WS8 7DG
T +44 (0)1543 688920
E support@xstrahl.com

Xstrahl.com

Correction:

Xstrahl Limited are issuing the following correction advice for 150 specific system users.

1. Voluntary return of the 150 Gulmay Medical / Xstrahl treatment applicators to Xstrahl Ltd, UK.
2. Modification of the applicator shoe and base plate to add mechanical retention by means of fasteners, the fasteners are to be added in the area outside of the primary collimated X-Ray beam, therefore having no impact on X-Ray shielding.



3. Please email quality@xstrahl.com to arrange the return of the applicators to Xstrahl Ltd for modification, they will be returned after modification. It is estimated this work will take ~2 working weeks plus the additional transit times.

We will confirm suitable arrangements and timelines with you, to suit your clinical requirements.

Please continue to follow the instructions contained in the Field Safety Notice (TN020).

Technical & Support
T +44 (0)1543 688920

Registered Office
Unit 2 Maybrook Industrial Estate
Maybrook Road, Brownhills
Walsall WS8 7DG
VAT No. 318 7764 68



Xstrahl Ltd
Unit 2 Maybrook Industrial Estate
Maybrook Road, Brownhills
Walsall WS8 7DG
T +44 (0)1543 688920
E support@xstrahl.com

Xstrahl.com

4. On receipt of your return request, you will be issued with a returns RMA number and the return shipping address. Xstrahl will require the address and contact details to make arrangements.

Further Information:

Please distribute this information immediately to any staff within your organisation who need to be aware. Xstrahl Limited has informed the appropriate Regulatory Agencies of this Field Safety Corrective Action.

Contact:

If you have any questions concerning the information in this Recall Notice, please contact Xstrahl quality@xstrahl.com

We appreciate your immediate attention to this matter and apologise for any inconvenience this may cause.

Yours Sincerely,

A handwritten signature in blue ink, appearing to read 'Tracey Dimon'.

Tracey Dimon BEng MSc.H.Dip | Technical Support Director

Technical & Support
T +44 (0)1543 688920

Registered Office
Unit 2 Maybrook Industrial Estate
Maybrook Road, Brownhills
Walsall WS8 7DG
VAT No. 318 7764 68