

Drägerwerk AG & Co. KGaA, 23542 Lübeck

To our customers of the Dräger Oxylog VE300 ventilator with optional carrying system holder

February 2020

Important Safety Notice!!!

**Possibility of the Oxylog VE300 falling out of the carrying system holder.
Only devices specified in the attached serial number list are affected.**

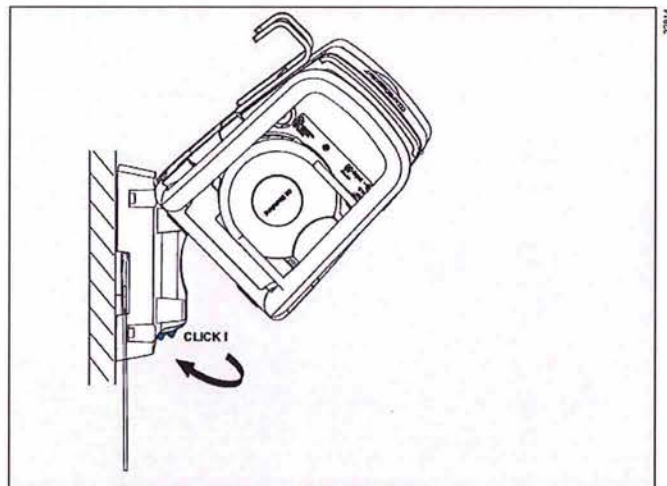
Dear Madam/Sir,

Within the framework of our continuous market surveillance activities, a case has come to our attention in which the Oxylog VE300 ventilator became detached from the wall-mounted carrying system holder. This was because an axis was missing from the attachment mechanism on the bottom of the device. The missing axis meant that the device was not firmly latched into the carrying system holder. No patient or user was injured in the reported case. However, due to the weight of the device, it is not possible to rule out the risk of injury if the incident were to recur.

The Oxylog VE300 ventilators with carrying system can continue to be used safely. To do so, it is necessary to attach the device to the carrying system holder as described in the Instructions for Use of the carrying system holder, and to ensure in particular

1. that the device is inserted in the middle of the socket (parallel to the wall-mounted plate) and
2. that the device is correctly latched into the carrying system holder and
3. as a final step to check that the device is properly secured by pulling the handle.

The relevant excerpt from the Instructions for Use can be found to the right:



- 1 Insert the device in the middle of the upper socket.
- 2 Press the device into the lower latch until it audibly clicks into place.
- 3 Make sure that the device is properly secured.

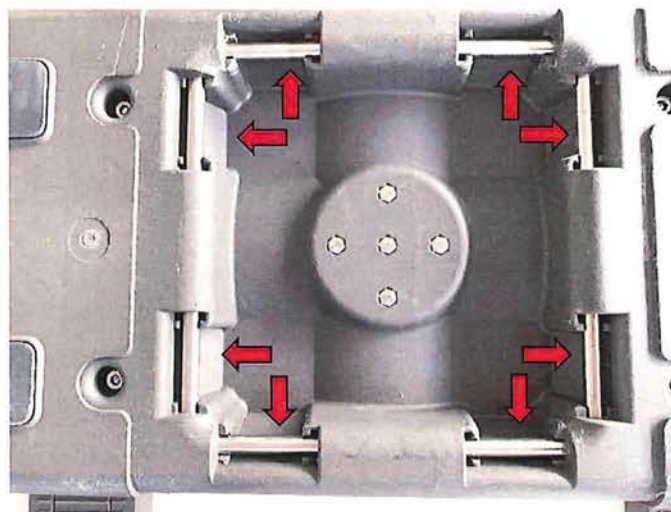
Drägerwerk AG & Co. KGaA
Moisinger Allee 53-55
23558 Lübeck, Germany
Postal address:
23542 Lübeck, Germany
Tel. +49 451 882-0
Fax +49 451 882-2080
info@draeger.com
www.draeger.com
VAT ID: DE135082211

Bank information:
Commerzbank AG, Lübeck
IBAN: DE95 2304 0022 0014 6795 00
SWIFT code: COBA DE FF 230
Sparkasse zu Lübeck
IBAN: DE15 2305 0101 0001 0711 17
SWIFT code: NOLADE21SPL

Company headquarters: Lübeck
Commercial register:
Municipal Court Lübeck HRB 7903 HL
General partner: Drägerwerk Verwaltungs AG
Company headquarters: Lübeck
Commercial register:
Municipal Court Lübeck HRB 7395 HL

Chairman of the Executive Board of
Drägerwerk AG & Co. KGaA and
Drägerwerk Verwaltungs AG:
Stefan Lauer
Board of Directors:
Stefan Dräger (Chairman)
Rainer Klug
Gert-Hartwig Lescow
Dr. Reiner Piske
Anton Schrofner

Furthermore, we would like to ask you to carry out an additional check. Before using the device, please verify that all 8 axes are present and in the correct places, as shown in the pictures below.



Please do not continue to place the device in the carrying system holder if you detect any inconsistencies in the attachment mechanism.

According to our records, you have in your possession one or more devices of the affected version. A list of all serial numbers affected is attached.

Your local DrägerService will contact you to organize replacement of axes in the attachment mechanism by a new and improved version of axes.

We have notified the competent authorities about this measure.

We apologize for any inconvenience that this action may cause you. Please do not hesitate to contact your local Dräger representative if you should have any further questions.

Page 3 / 3

With kind regards,



Stefan Kruse

President
Business Unit Therapy
Medical Division
Drägerwerk AG & Co. KGaA

Attachment:

- List of affected serial numbers